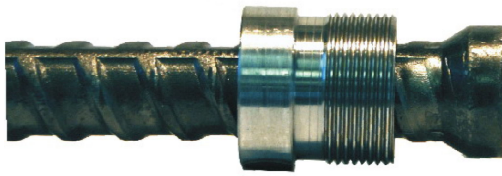
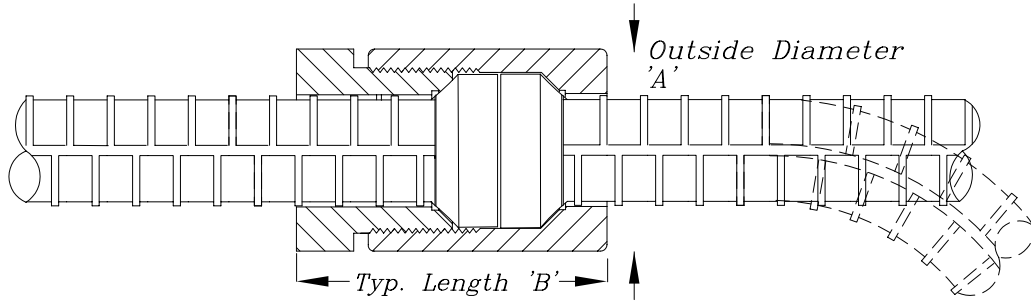
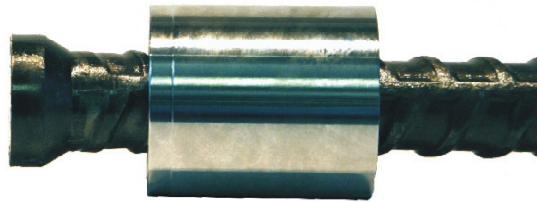


# XTENDER HRC 500/510 Position Couplers

*HRC 500*

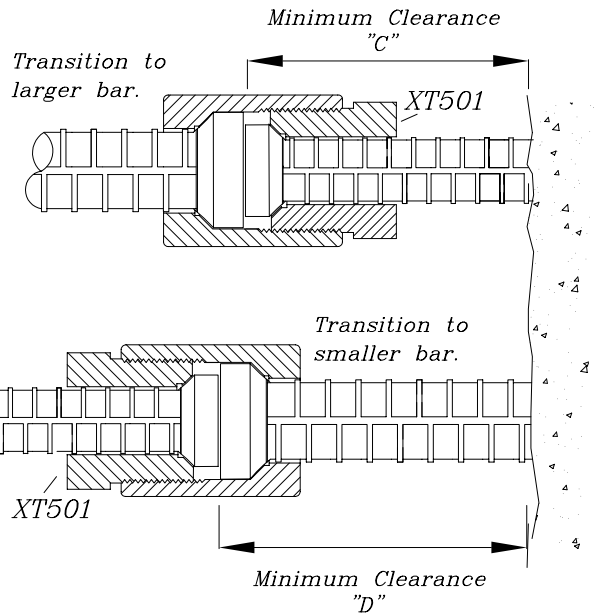
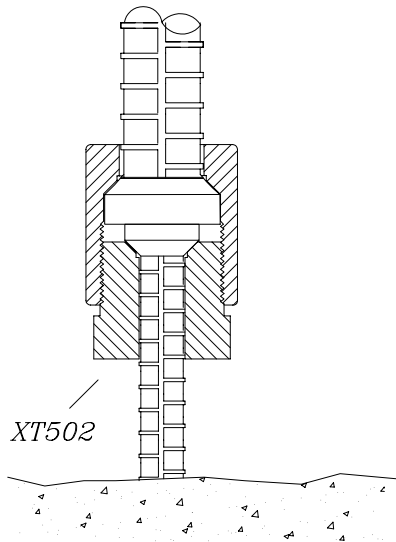


*HRC 510*



Position/Transition Nuts \*

*Transition Nut  
Two bar sizes.*



\* Note : Transition Male Couplers up to five (5) sizes down are also available

510 Dimensions	#4 in.	#13 mm	#5 in.	#16 mm	#6 in.	#19 mm	#7 in.	#22 mm	#8 in.	#25 mm	#9 in.	#29 mm	#10 in.	#32 mm	#11 in.	#36 mm	#14 in.	#43 mm
A. Coupler OD	1 3/8	35	1 1/2	38	1 5/8	41	1 7/8	48	2 1/8	54	2 3/8	60	2 5/8	67	2 7/8	73	3 1/2	89
B. Coupler length	2	51	2 1/8	54	2 3/8	60	2 7/8	73	3 1/8	79	3 1/2	89	3 3/4	95	4 1/4	108	5 1/8	130
C. Male Clearance	5 1/4	133	5 1/4	133	5 1/4	133	5 3/4	146	6 1/4	159	8	203	8 1/4	210	8 1/2	216	10	254
D. F/M Clearance	6	153	6 1/4	157	6 3/8	161	7 1/8	180	7 7/8	199	9 3/4	248	10 3/8	262	10 3/4	273	12 7/8	326
E. Min. Torque (lb-ft.)		100		100		150		150		150		250		250		250		250

Available Zinc-Plated to prevent rust under long term weather exposure before final assembly.  
03/December/'09 All data subject to change without notice.



**HEADED REINFORCEMENT CORP.**  
11200 Condor Avenue • Fountain Valley, CA 92708  
Tel: (714) 557-1455 • Fax: (714) 557-4460